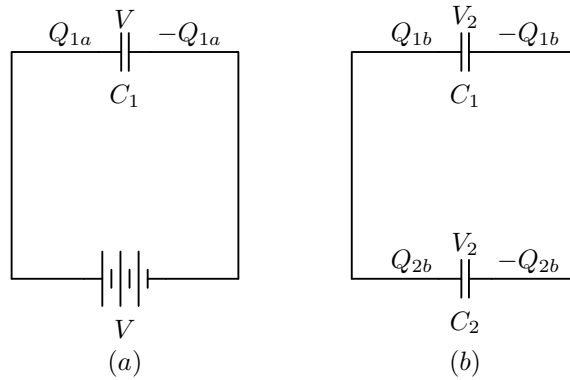


Recitation 4

Chapter 17

Problem 40. A $C_1 = 7.7 \mu\text{F}$ capacitor is charged by a $V = 125 \text{ V}$ battery (Fig. 17-29a) and then is disconnected from the battery. When this capacitor (C_1) is then connected (Fig. 17-29b) to a second (initially uncharged) capacitor, C_2 , the final voltage on each capacitor is $V_2 = 15 \text{ V}$. What is the value of C_2 ? [*Hint*: charge is conserved.]



Because the voltage drop across C_1 in situation *a* is the same as the voltage drop across the battery (V), we have

$$Q_{1a} = C_1 V$$

When we connect C_2 in situation *b*, this charge redistributes between C_1 and C_2 . Because charge is conserved, we know

$$Q_{1a} = Q_{1b} + Q_{2b}$$

We also know that the voltage drop across both capacitors in situation *b* must be equal (both = V_2), so

$$Q_{1b} = C_1 V_2$$

$$Q_{2b} = C_2 V_2$$

Plugging each of these formulas for charge (Q_{1a} , Q_{1b} , and Q_{2b}) into the charge conservation formula yields

$$C_1 V = C_1 V_2 + C_2 V_2$$

$$C_1 (V - V_2) = C_2 V_2$$

$$V_2 C_2 = C_1 (V - V_2)$$

$$C_2 = C_1 \left(\frac{V}{V_2} - \frac{V_2}{V_2} \right)$$

$$C_2 = C_1 \left(\frac{V}{V_2} - 1 \right)$$

$$C_2 = 7.7 \mu\text{F} \cdot \left(\frac{125 \text{ V}}{15 \text{ V}} - 1 \right) = 56 \mu\text{F}$$