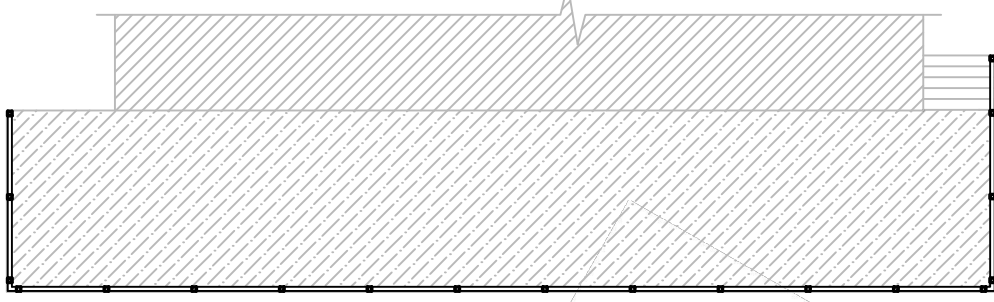
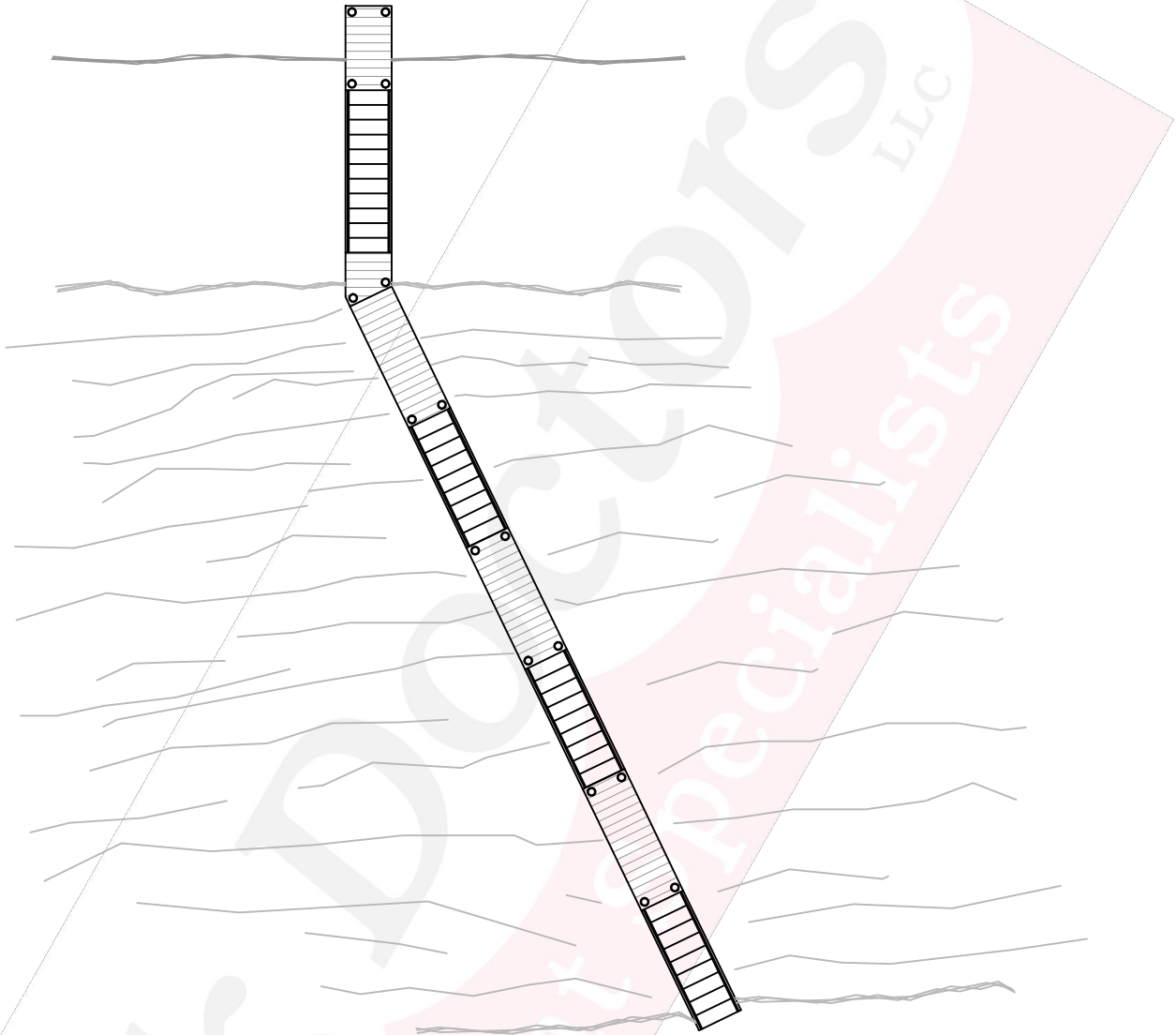


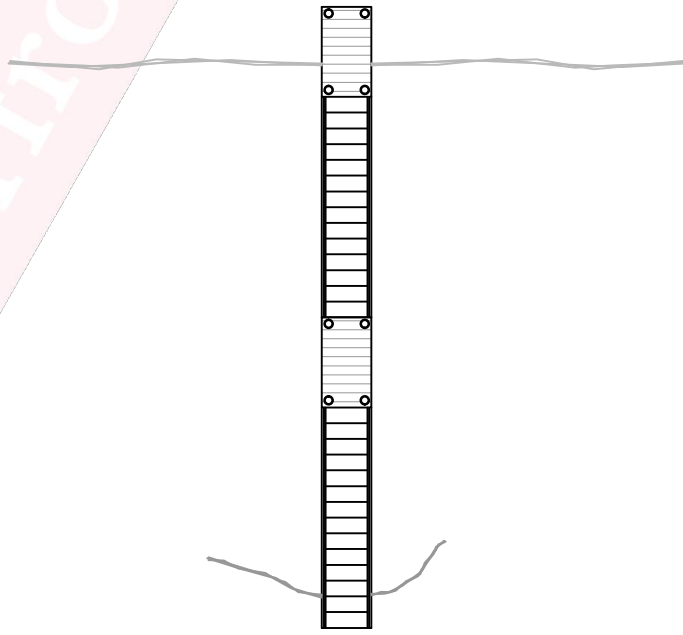
PROJECT #1



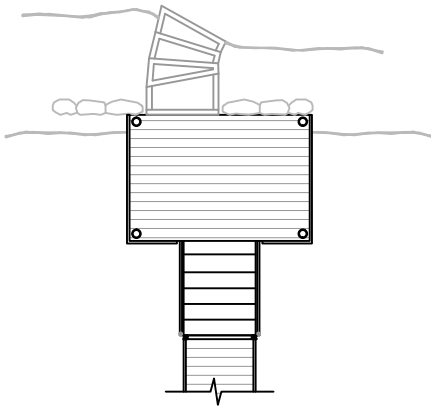
PROJECT #2



PROJECT #3



PROJECT #4



DWG#: GIL-001

**The Dock Doctors**  
Waterfront Specialists

19 LITTLE OTTER LANE  
FERRISBURG, VT 05456

APPROVED TO BUILD

BY

DATE

# GILMORE GULL POND

DRAWN: T. DIETRICH

DATE: 10-28-2014

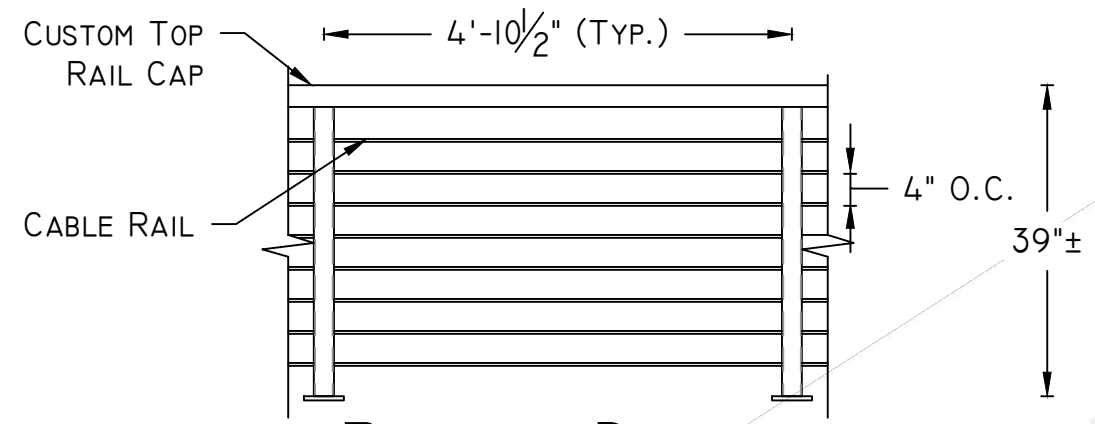
SCALE: 3/32" = 1'-0"

PAGE #

1

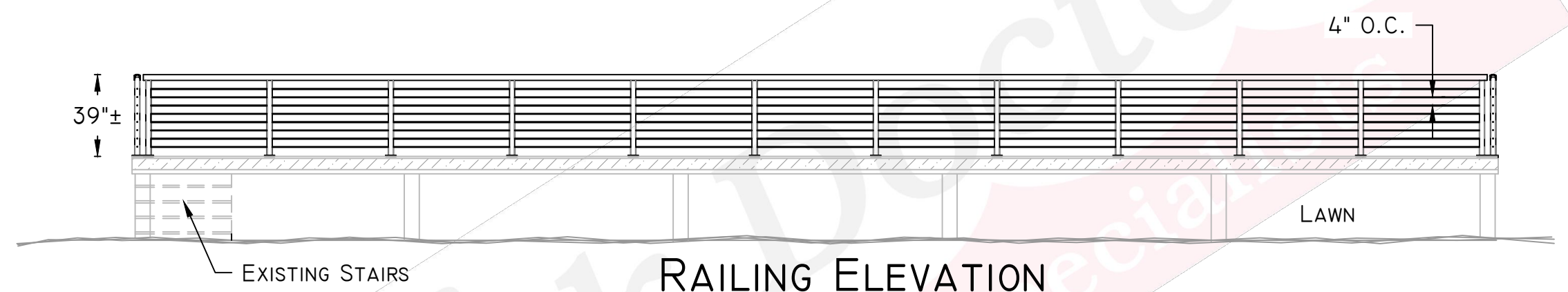
OF

5



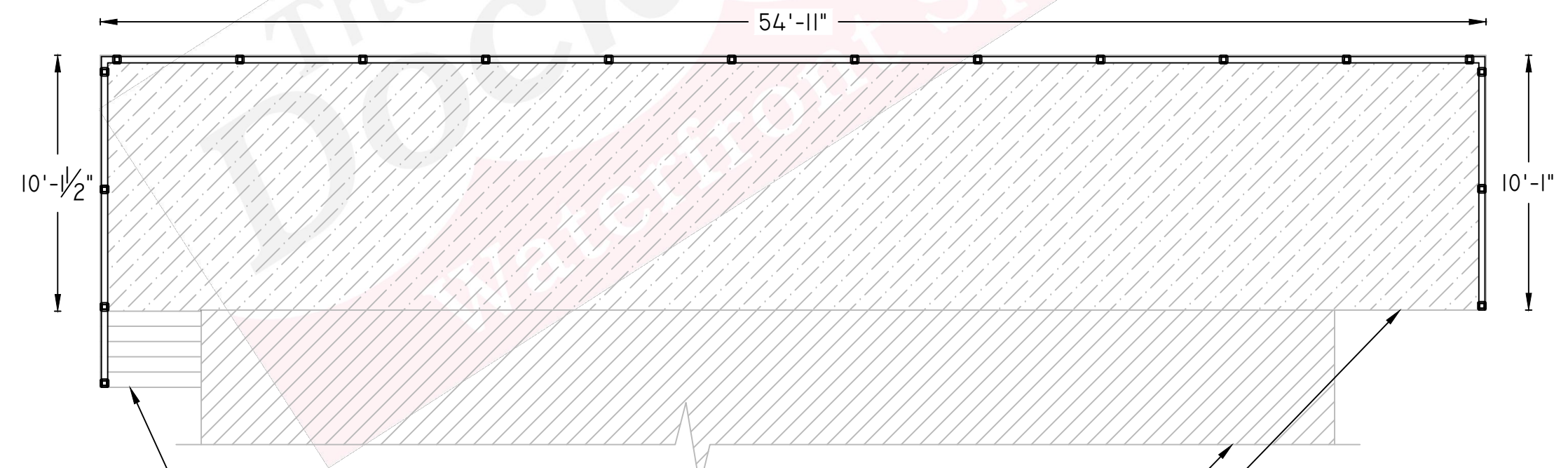
**RAILING DETAIL**

SCALE: 1/2" = 1'-0"



**RAILING ELEVATION**

SCALE: 3/16" = 1'-0"



**RAILING LAYOUT**

SCALE: 3/16" = 1'-0"

**The Dock Doctors LLC**  
 Waterfront Specialists  
 19 LITTLE OTTER LANE  
 FERRISBURG, VT 05456

APPROVED TO BUILD

BY \_\_\_\_\_ DATE \_\_\_\_\_

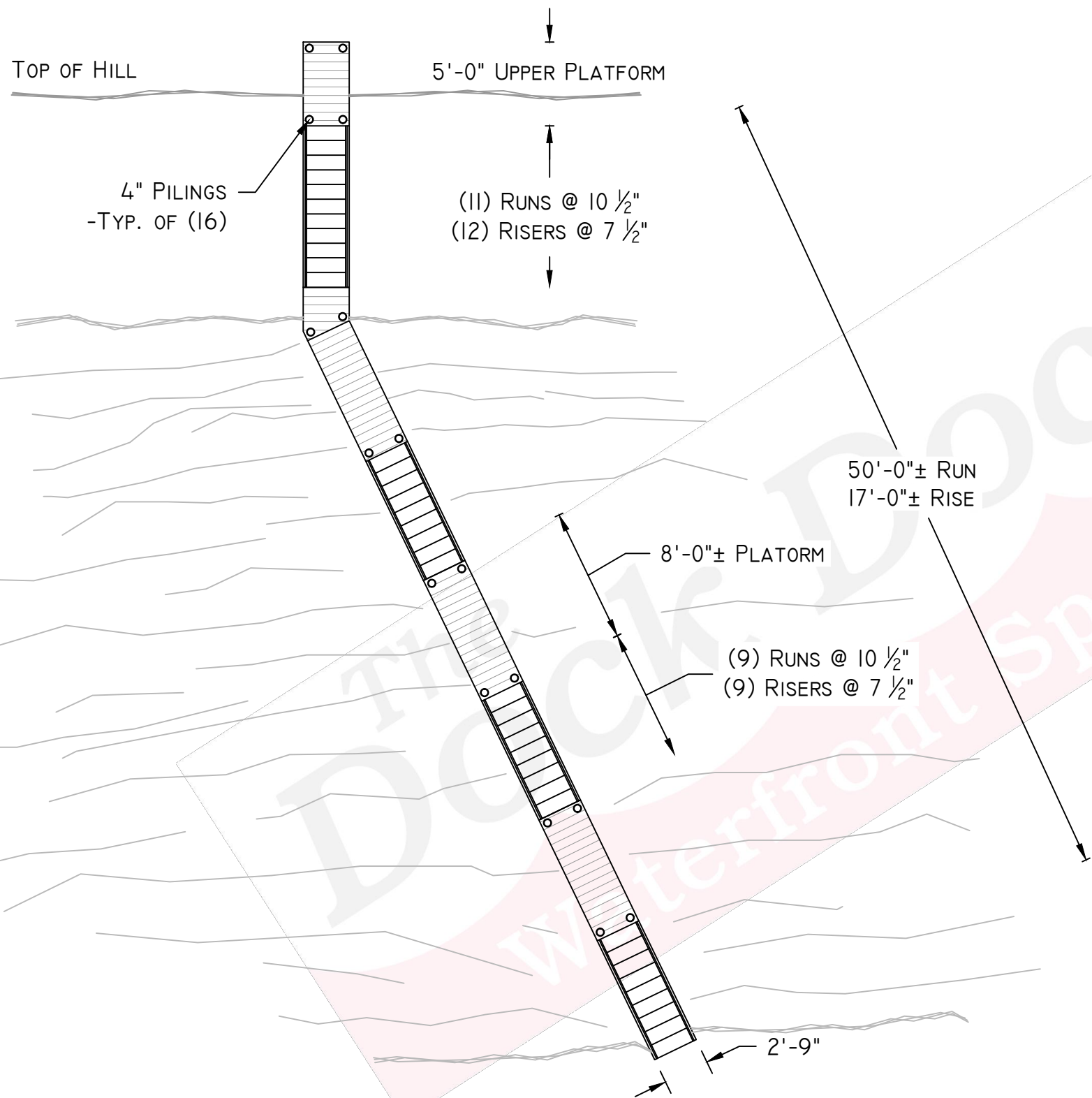
**GILMORE  
 GULL POND**

DRAWN: T. DIETRICH  
 DATE: 10-28-2014  
 SCALE: AS NOTED

PAGE #  
**2**  
**5**

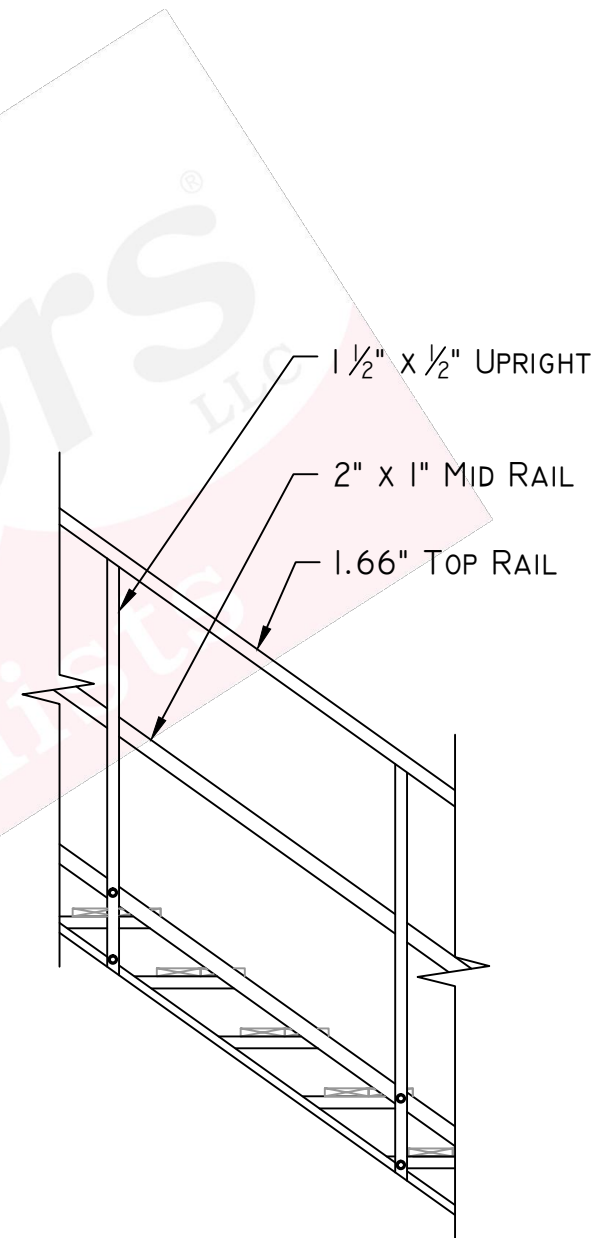
REPRODUCTION IN ANY WAY OF THIS PRINT AND SPECIFICATIONS IS COMPLETELY PROHIBITED. THIS DOCUMENT IS THE SOLE PROPERTY OF THE DOCK DOCTORS, LLC 2014

DWG#: GIL-001 OF



### STAIR & PLATFORM LAYOUT

SCALE: 1/8" = 1'-0"



### RAILING LAYOUT

SCALE: 1/2" = 1'-0"

REPRODUCTION IN ANY WAY OF THIS PRINT AND SPECIFICATIONS IS COMPLETELY PROHIBITED. THIS DOCUMENT IS THE SOLE PROPERTY OF THE DOCK DOCTORS, LLC 2014

**The Dock Doctors LLC**  
 Waterfront Specialists  
 19 LITTLE OTTER LANE  
 FERRISBURG, VT 05456  
 APPROVED TO BUILD  
 BY \_\_\_\_\_ DATE \_\_\_\_\_

# GILMORE GULL POND

DRAWN: T. DIETRICH

DATE: 10-28-2014

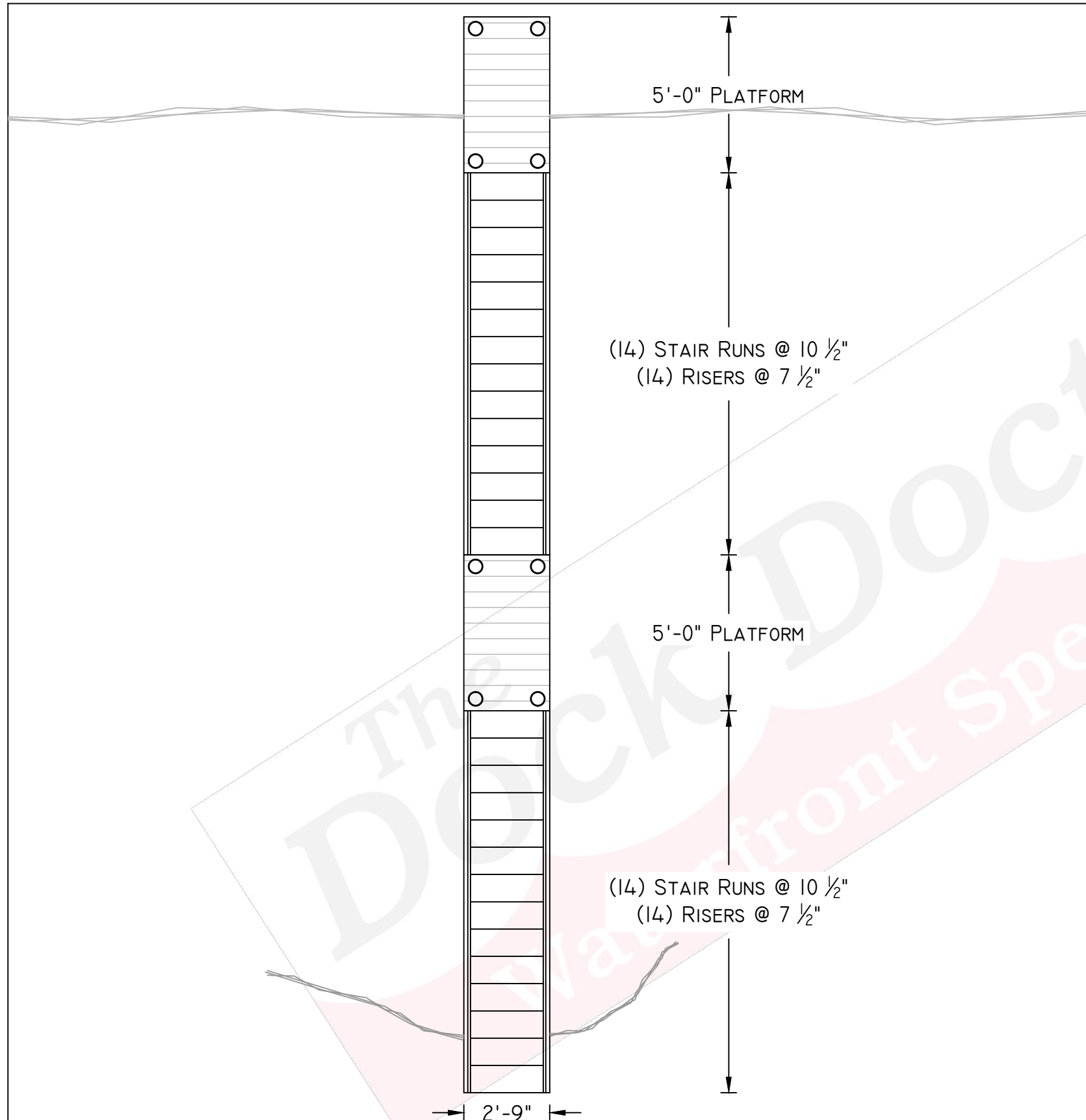
SCALE: AS NOTED

PAGE #

3

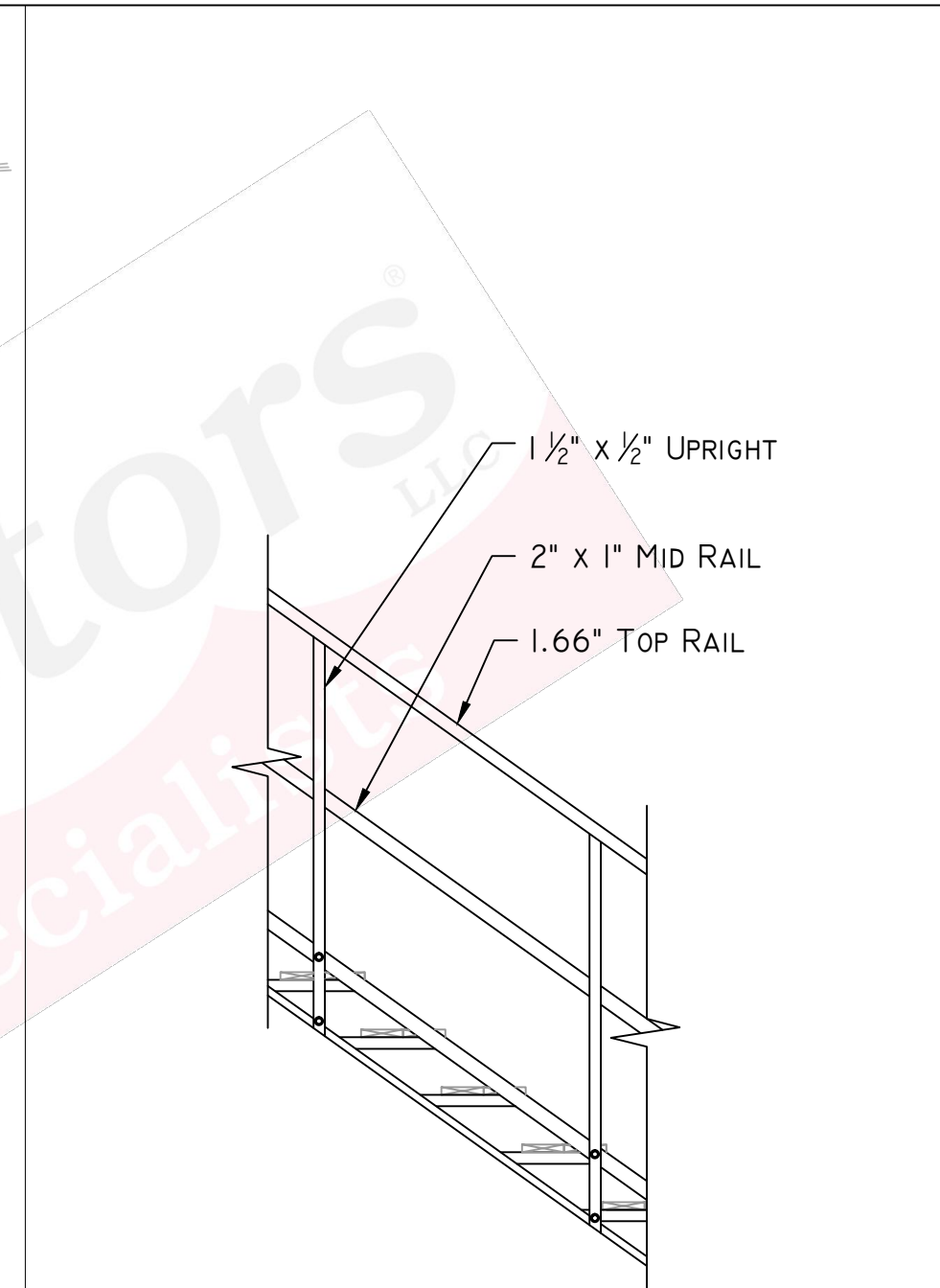
5

DWG#: GIL-001 OF



### STAIR & PLATFORM LAYOUT

SCALE: 1/4" = 1'-0"



### RAILING LAYOUT

SCALE: 1/2" = 1'-0"

**The Dock Doctors**  
Waterfront Specialists  
19 LITTLE OTTER LANE  
FERRISBURG, VT 05456

APPROVED TO BUILD

BY \_\_\_\_\_ DATE \_\_\_\_\_

# GILMORE GULL POND

DRAWN: T. DIETRICH

DATE: 10-28-2014

SCALE: AS NOTED

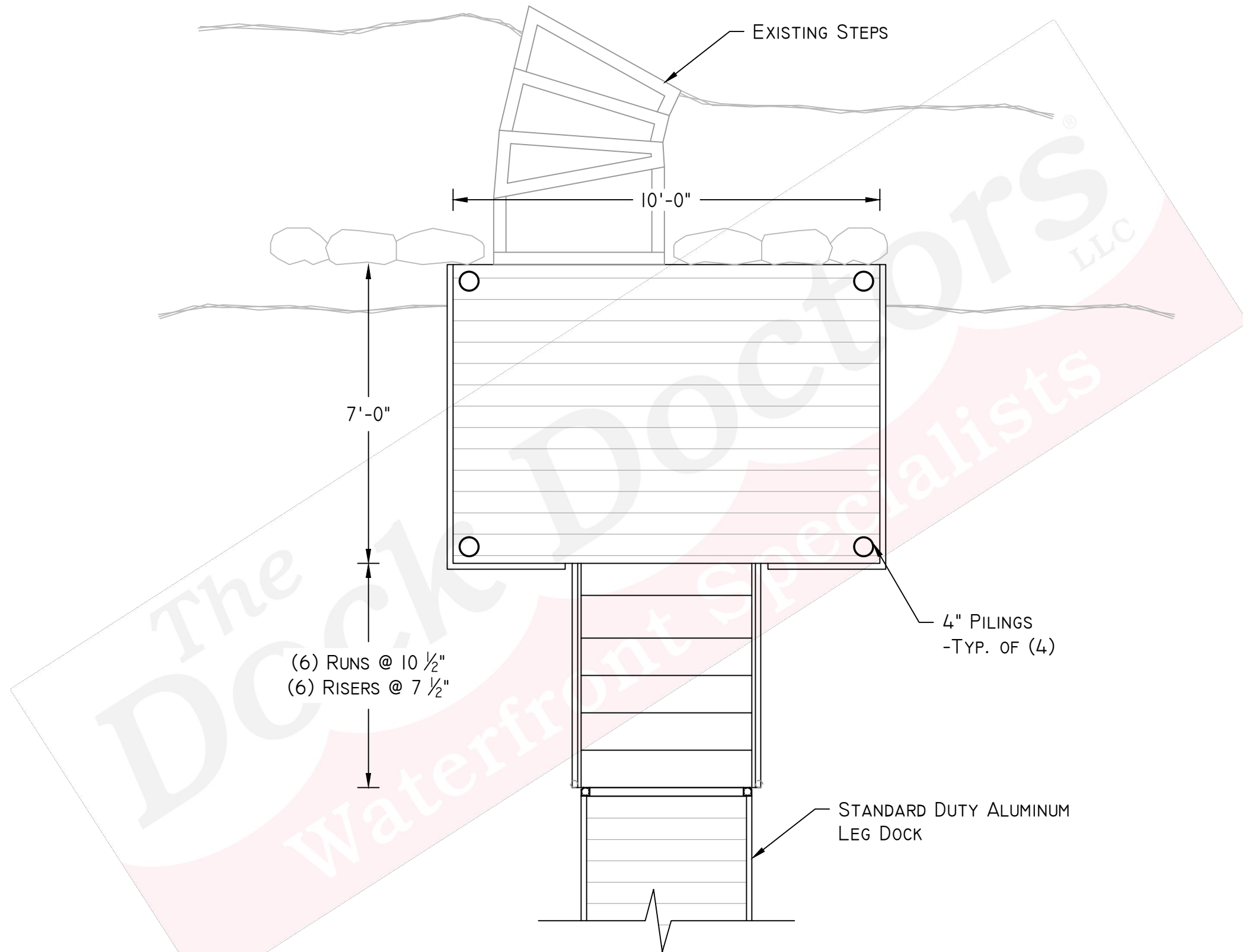
PAGE #

4

5

REPRODUCTION IN ANY WAY OF THIS PRINT AND SPECIFICATIONS IS COMPLETELY PROHIBITED. THIS DOCUMENT IS THE SOLE PROPERTY OF THE DOCK DOCTORS, LLC 2014

DWG#: GIL-001 OF



## STAIR & PLATFORM LAYOUT

SCALE: 3/8" = 1'-0"

<b>The Dock Doctors</b> <small>Waterfront Specialists</small>	
19 LITTLE OTTER LANE FERRISBURG, VT 05456	
APPROVED TO BUILD BY	DATE

GILMORE  
GULL POND

DRAWN: T. DIETRICH

DATE: 10-28-2014

SCALE: AS NOTED

PAGE #

5

5

REPRODUCTION IN ANY WAY OF THIS PRINT AND SPECIFICATIONS IS COMPLETELY PROHIBITED. THIS DOCUMENT IS THE SOLE PROPERTY OF THE DOCK DOCTORS, LLC 2014

DWG#: GIL-001 OF